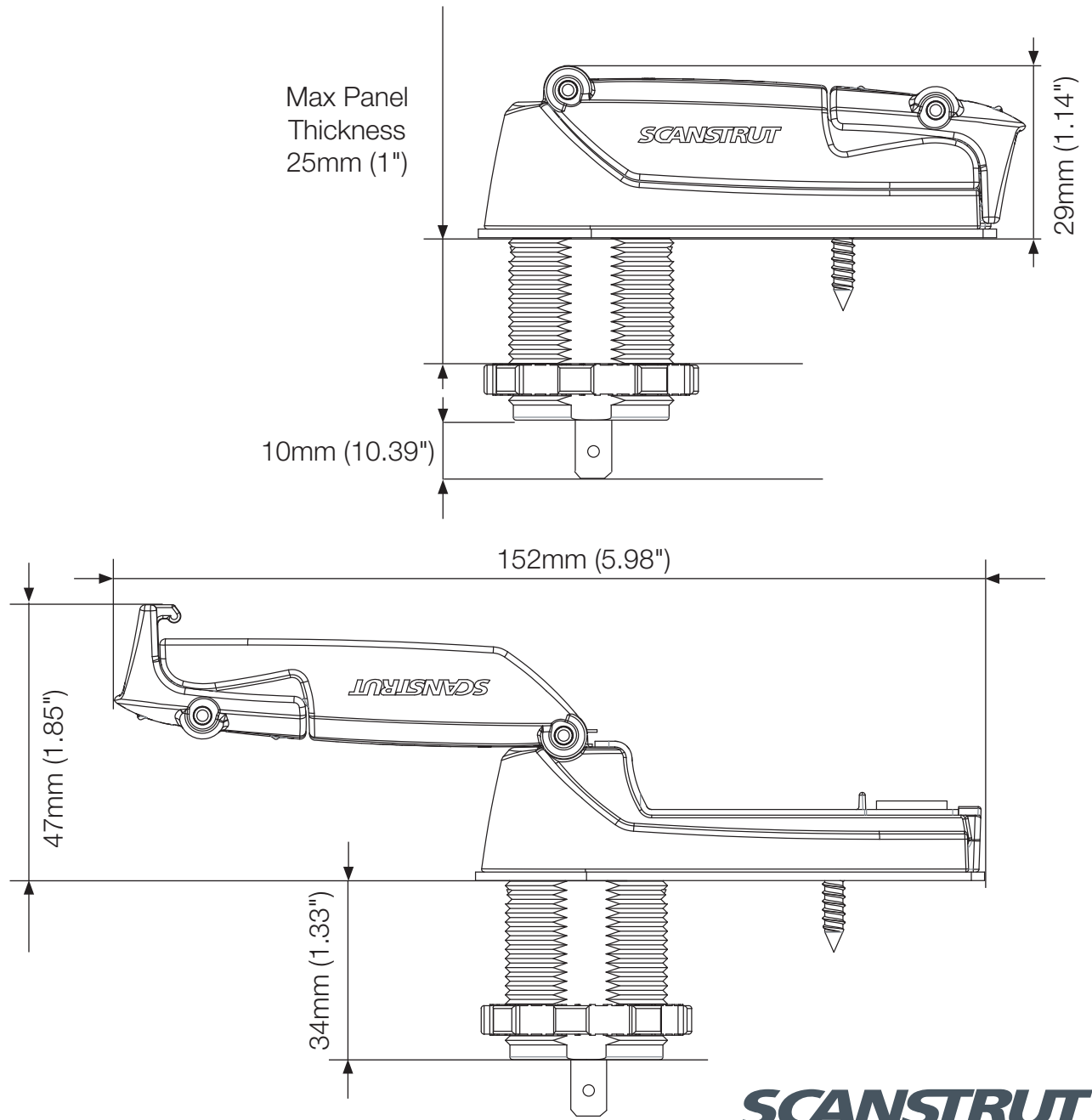
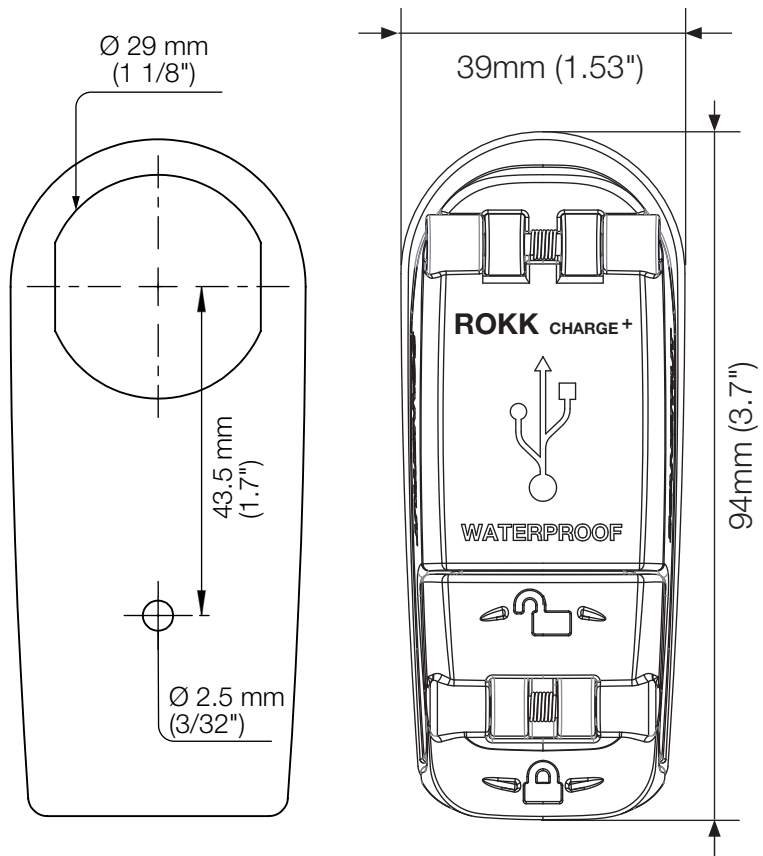


Scanstrut ROKK Charge⁺ - SC-USB-02

For help & information
 email: sales@scanstrut.com
 tel: +44 (0) 1392531280

Technical information.

Input voltage 12/24V System	10-32V DC
Input current Max	2.5 A
Output Type A	5V=2.1A
Output Type A	5V=2.1A
Total Output Current	4.2A
Standby draw	0.01W
Waterproof rating	IPX6
Certification	CE, ROHS, UKCA



SCANSTRUT